



**PERFORMANCE DATA SHEET
NEMA PREMIUM NR CAN NEMA 12 - 12**

Catalogue #: MPSP-304TL

| HP | kW | Voltage | S.F. @ 60Hz | Efficiency | Power Factor | Frame | Design | L.R. Amps |
|----|------|---------|-------------|------------|--------------|-------|--------|-----------|
| 3 | 2,24 | 575 | 1,15 | 89,5% | 0,785 | 182TC | B | 26 |

| 60 Hz | | | | | | | | |
|-------|-----|-----|-----|-----|-----|-----|------|----------|
| FLA | | | | | | | Code | F.L. RPM |
| 208 | 230 | 416 | 460 | 480 | 575 | 600 | | |
| / | / | / | / | / | 3,2 | / | K | 1765 |

| 50 Hz | | | | | | | | |
|-------|-----|-----|-------------|------------|--------------|------|----------|--|
| FLA | | | S.F. @ 50Hz | Efficiency | Power Factor | Code | F.L. RPM | |
| 190 | 380 | 415 | | | | | | |
| / | / | / | / | / | / | / | / | |

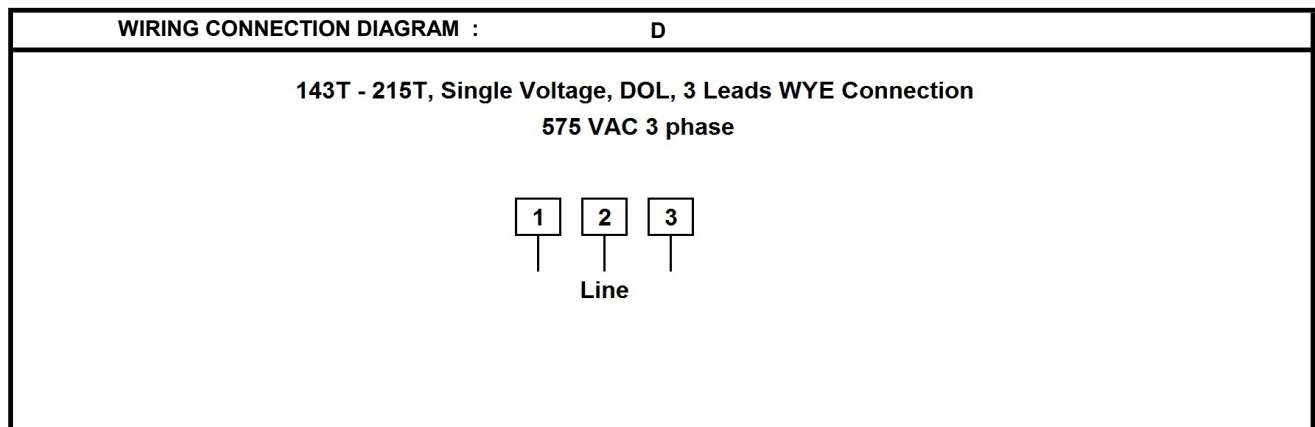
| Wgt. Lbs | PH | Duty | Insul. Class | Amb. | Elevation | Temp. Rise° C |
|----------|----|-------|--------------|------|-----------------|---------------|
| 89 | 3 | Cont. | F | 40°C | 1000M (3300 Ft) | 40 |

| % Efficiency | | % Power Factor | | Torque | | Winding Resist. Ω | Safe Cold Start (Secs) |
|--------------|-------|----------------|------|------------------|-----|-------------------|------------------------|
| Full Load: | 89,5% | Full Load: | 0,78 | Full Load Ft/Lbs | 8,9 | | |
| 3/4 Load: | 88,6% | 3/4 Load: | 0,70 | Locked Rotor % | 250 | | |
| 1/2 Load: | 87,2% | 1/2 Load: | 0,58 | Break Down % | 320 | 7,5 | 12 |

| Rotor Inertia Wk2 Lb-Ft2 | Max Load Inertia Wk2 Lb-Ft2 | Shaft Material | Frame Material | DE Bracket Type | ODE Bracket Type | Enclosure | NEMA Rating | Lead Wire Size |
|--------------------------|-----------------------------|----------------|-----------------|-----------------|------------------|-----------|-------------|----------------|
| 0,23 | 25 | 304SS | Stainless Steel | | | TEFC | IP69K | 14 AWG |

| Ball Bearings | | Grease | Mount Type | Orientation | Paint | Sound Pressure @ 3FT | Sound Power |
|---------------|------|-----------------|------------|-------------|-------|----------------------|-------------|
| DE | ODE | | | | | | |
| 6308 | 6306 | Sealed Bearings | Foot | Horizontal | - | 64 | 74 |

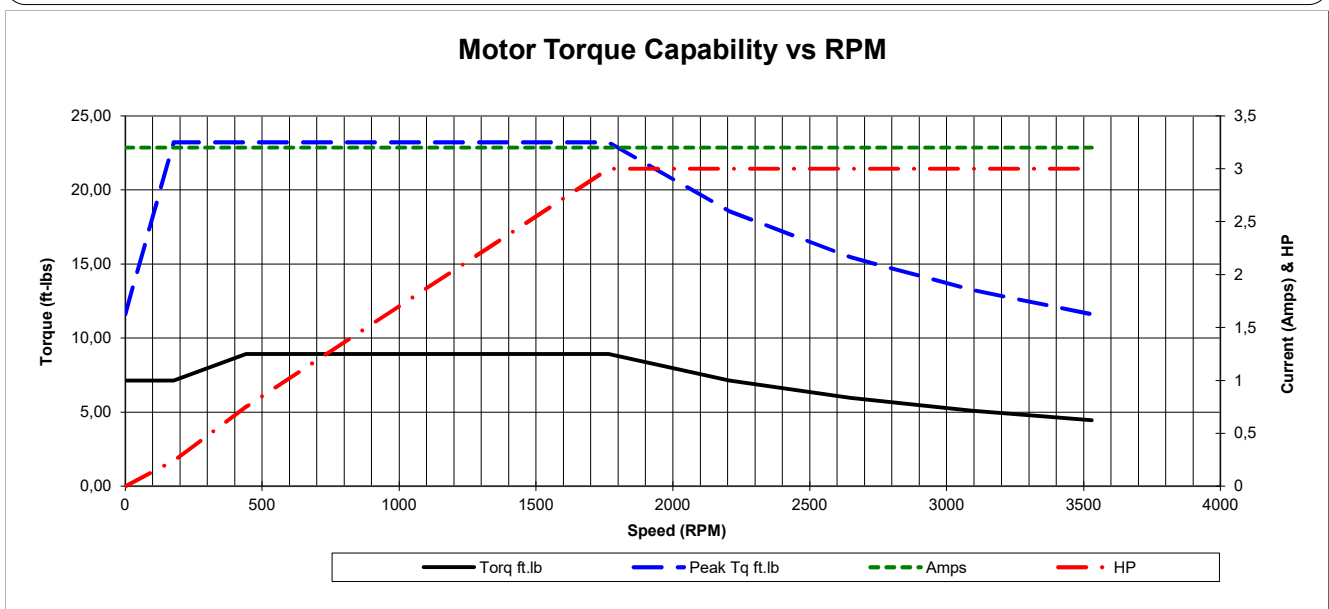
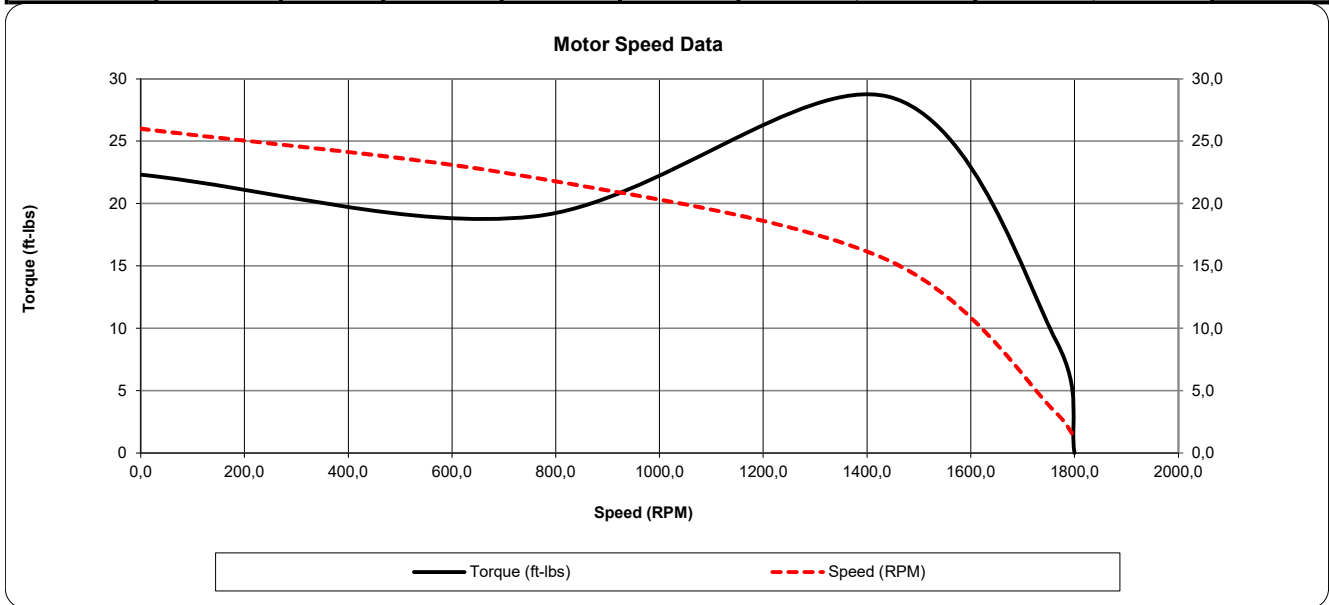
| Inverter Duty. Motor meets MG1 parts 31.4.4.2 | Constant Torque Range | Variable Torque Range | Constant HP RPM |
|--|-----------------------|-----------------------|-----------------|
| | 10:1 | 20:1 | 2700 |



Date: 2024-01-29
 Customer: _____
 Contact: _____
 Submittee: J.C. Lavallée

Catalogue #: **MPSP-304TL**

| NEMA PREMIUM NR CAN NEMA 12 - 12 | | | | | | | | | | |
|----------------------------------|--------------|---------|-----------|------------|-----------|---|---------|----------------|------------------|---------------|
| HP | VAC | RPM | Enclosure | Frame | Frequency | Design | Poles | LR Code Letter | Insulation Class | Temp. Rise °C |
| 3 | 575 | 1765 | TEFC | 182TC | 60 | B | 4 | K | F | 40 |
| | 0Hz | 6Hz | 15Hz | 30Hz | 45Hz | 60Hz | 75Hz | 90Hz | 105Hz | 120Hz |
| Amps | 3,2 | 3,2 | 3,2 | 3,2 | 3,2 | 3,2 | 3,2 | 3,2 | 3,2 | 3,2 |
| RPM | 0 | 176,5 | 441,25 | 882,5 | 1323,75 | 1765 | 2206,25 | 2647,5 | 3088,75 | 3530 |
| Torq ft.lb | 7,14 | 7,14 | 8,93 | 8,93 | 8,93 | 8,93 | 7,14 | 5,95 | 5,10 | 4,46 |
| Peak Tq ft.lb | 11,60 | 23,21 | 23,21 | 23,21 | 23,21 | 23,21 | 18,57 | 15,47 | 13,26 | 11,60 |
| HP | 0 | 0,2 | 0,8 | 1,5 | 2,3 | 3,0 | 3,0 | 3,0 | 3,0 | 3,0 |
| | Locked Rotor | Pull-Up | Breakdown | Rated Load | Idle | Duty | S. F. | Ambient | Elevation | dBA @ 1M |
| Speed (RPM) | 0,0 | 756 | 1440 | 1765 | 1800 | Continuous | 1,15 | 40°C | 3,300 ft | 64 |
| Current (Amps) | 26,0 | 22,1 | 15,5 | 3,2 | 1,2 | VFD Rating: Meets MG1 parts 31.4.4.2 | | | | |
| Torque (ft-lbs) | 22,3 | 19,0 | 28,6 | 8,9 | 0,0 | CT | 10:1 | VT | 20:1 | |



Date: 2024-01-29
 Customer: _____
 Contact: _____
 Submittee: J.C. Lavallée

Catalogue #: MPSP-304TL

| NEMA PREMIUM NR CAN NEMA 12 - 12 | | | | | | | | | | |
|----------------------------------|--------------|---------|-----------|------------|-----------|--------------------------------------|--------|----------------|------------------|---------------|
| HP | VAC | RPM | Enclosure | Frame | Frequency | Design | Poles | LR Code Letter | Insulation Class | Temp. Rise °C |
| 3 | 575 | 1765 | TEFC | 182TC | 60 | B | 4 | K | F | 40 |
| Load % | 0% | 25% | 50% | 75% | 100% | 125% | 150% | | | |
| Amps | 1,22 | 1,37 | 1,89 | 2,50 | 3,20 | 3,92 | 4,68 | | | |
| Torq ft/lbs | 0 | 2,20 | 4,42 | 6,66 | 8,93 | 11,21 | 13,52 | | | |
| RPM | 0 | 1791,25 | 1782,5 | 1773,75 | 1765 | 1756,25 | 1747,5 | | | |
| Eff | 0 | 73,25 | 87,20 | 88,60 | 89,50 | 89,50 | 89,50 | | | |
| PF | 0 | 35,3 | 58 | 69,5 | 78,5 | 80,0 | 80,4 | | | |
| | Locked Rotor | Pull-Up | Breakdown | Rated Load | Idle | Duty | S. F. | Ambient | Elevation | dBa @ 1M |
| Speed (RPM) | 0 | 756 | 1440 | 1765 | 1800 | Continuous | 1,15 | 40°C | 3,300 ft | 64 |
| Current (Amps) | 26 | 22,1 | 15,5 | 3,2 | 1,216 | VFD Rating: Meets MG1 parts 31.4.4.2 | | | | |
| Torque (ft-lbs) | 22,32 | 18,97 | 28,57 | 8,93 | 0,0 | CT | 10:1 | VT | 20:1 | |

